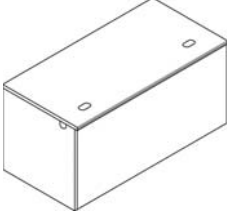
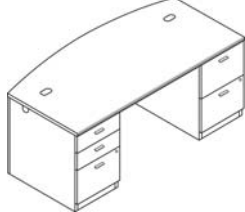
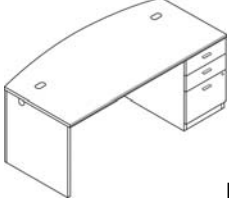
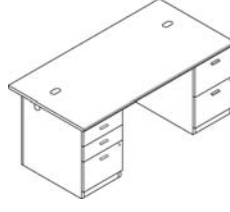
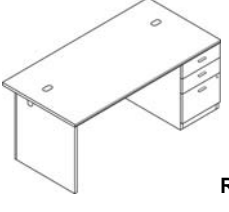
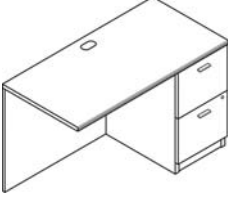
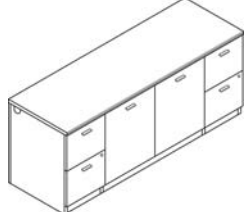
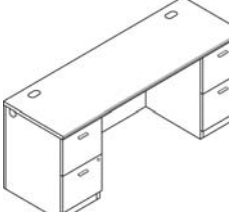
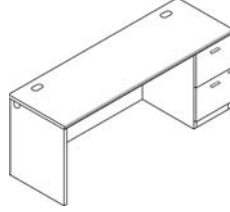
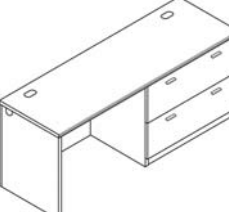
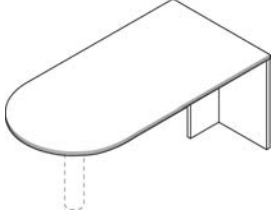
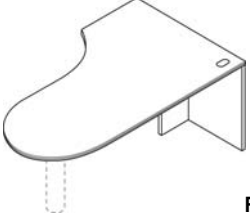
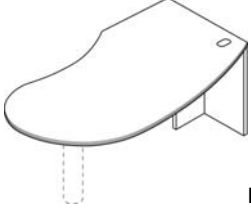

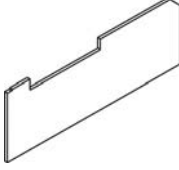
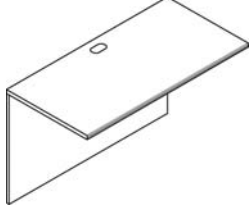
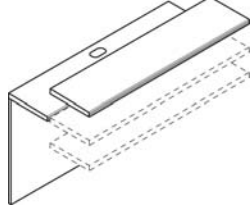
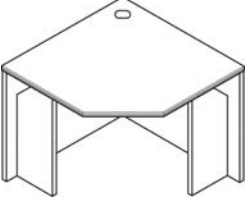
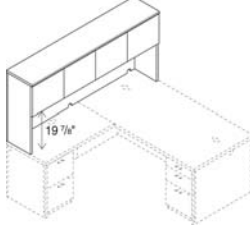
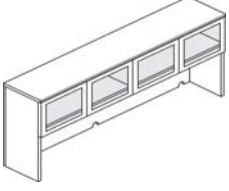
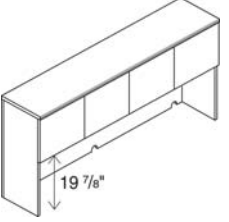
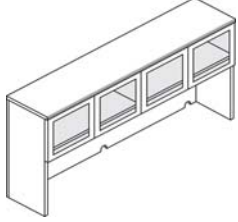
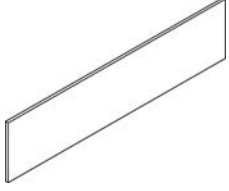
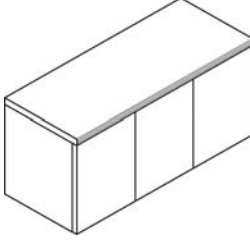
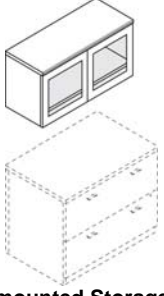


Park Avenue Collection Laminate COMPONENTS

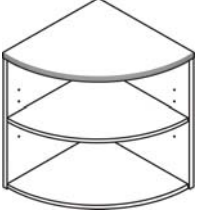
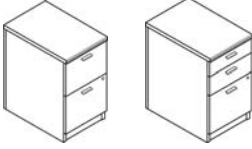
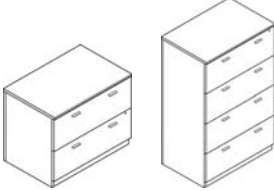
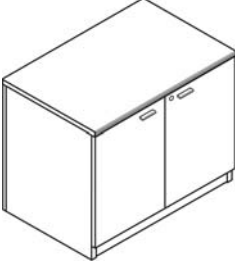
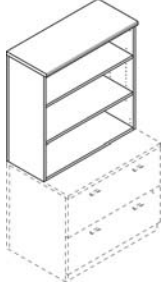
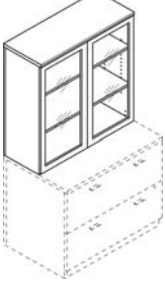
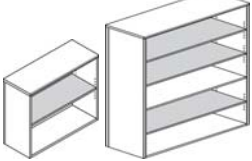
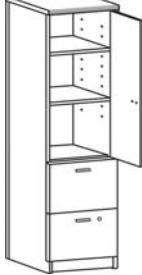



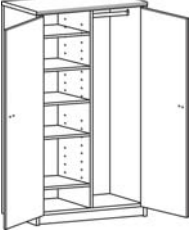
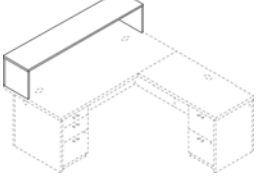
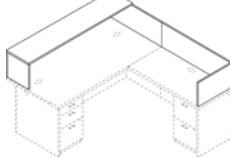
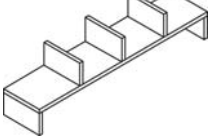
 <p>Approach side of desk presents trim appearance for tighter spaces.</p>	 <p>Double Pedestal Desk 3/2 Bow Front PC023D 72x36x29" \$1104.85</p>	 <p style="text-align: right;">R</p> <p>Single Pedestal Desk Bow Front (drawers: pencil/media/file) PC023R 72x36x29" \$949.03 PC023L 72x36x29" \$949.03</p>	 <p>Double Pedestal Desk 3/2 Rectangle PC027D \$1041.35 72x36x29" PC031D \$990.19 66x30x29" PC032D \$956.68 60x30x29"</p>	 <p style="text-align: right;">R</p> <p>Single Pedestal Desk Rectangle (drawers: pencil/media/file) PC027R 72x36x29" \$859.66 PC027L 72x36x29" \$859.66 PC031R 66x30x29" \$802.62 PC031L 66x30x29" \$802.62</p>
 <p>Return (drawers: file/file R=0/2;L=2/0) PC324R \$574.48 48x24x29" PC324L \$560.36 48x24x29" PC325R \$546.84 42x24x29" PC325L \$546.84 42x24x29"</p>	 <p>Credenza w/storage 2/D/2 (drawers: file/file) PC200D 72x24x29" \$1077.80</p>	 <p>Credenza w/kneespace 2/0/2 (Drawers: file/file) PC210D 72x24x29" \$911.40 PC211D 66x24x29" \$883.76 PC212D 60x24x29" \$865.54</p>	 <p>Credenza Single Pedestal (drawers: file/file R=0/2;L=2/0) PC230R \$743.23 72x24x29" PC230L \$743.23 72x24x29"</p>	 <p>Credenza w/36" Lateral File PC233R 72x24x29" \$827.32 PC233L 72x24x29" \$827.32</p>

Park Avenue Collection Laminate

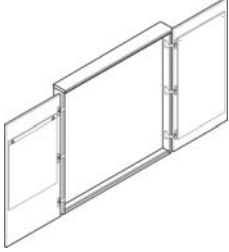
SHARED COMPONENTS

				
<p>Bullet Peninsula w/end panel 29"h PC100X 72x36x29" \$420.42 PC111X 66x30x29" \$367.50</p>	<p>Jetty Peninsula w/end panel PC130R \$584.47 PC130L \$584.47 72x30/48x29" PC131R \$519.79 PC131L \$519.79 72x30/42x29"</p>	<p>Boomerang Peninsula w/end panel PC140R \$519.79 PC140 \$519.79 72x30/42x29"</p>	<p>Support Column for Bullet, Jetty & Boomerang Peninsulas PC190X Black \$67.62 PC191X Nickel \$67.62 4 1/2" diameter</p>	<p>3/4 Modesty Panel for Peninsulas PC180W 50 1/4x18x3/4" \$95.26 Laminate PC180G \$339.28 50 1/4x18x3/4" Frosted w/nickel frame</p>
				
<p>Bridge PC402X 48x24x29" \$214.03 PC403X 42x24x29" \$203.45 PA404X 36x24x29" \$199.33 PA405X 30x24x29" \$199.33</p>	<p>Adjustable-height Bridge 12" vertical range PC408X \$490.98 48x24x29"</p>	<p>Freestanding Corner Unit PC153X \$402.78 24x36x36x24x29"</p>	<p>Stack-on Storage for "L" Workstation PC500W \$732.06 78x14 3/4x37 1/8" Laminate doors</p>	<p>Stack-on Storage for "L" Workstation PC500G \$1008.42 78x14 3/4x37 1/8" Frosted doors w/nickel frame</p>
				
<p>Stack-on Storage w/laminate doors and enclosed back PC501W 72" \$662.09 PC502W 66" \$629.75 PC503W 60" \$612.70 PC505W 48" \$523.32 PC506W 42" \$465.70 PC507W 36" \$445.12 14 3/4x37 1/8"</p>	<p>Stack-on Storage w/frosted doors w/nickel frame PC501G 72" \$955.50 PC502G 66" \$906.11 PC503G 60" \$889.06 PC505G 48" \$730.88 PC506G 42" \$603.88 PC507G 36" \$583.30 14 3/4x37 1/8"</p>	<p>Tackboard For use with stack-on storage 90057 for 78" \$134.06 90056 for 72" \$130.54 90055 for 66" \$124.66 90054 for 60" \$105.84 90053 for 48" \$101.14 90052 for 42" \$93.49 90051 for 36" \$84.08 18H"</p>	<p>Wall-mounted Storage Cabinets w/laminate doors PC522W 48" \$445.70 PC523W 42" \$413.36 PC524W 36" \$379.85 PC525W 30" \$360.44 14 3/4x17 3/8"</p>	<p>Wall-mounted Storage Cabinets w/frosted doors w/nickel frame PC522G 48" \$653.27 PC523G 42" \$551.54 PC524G 36" \$518.03 PC525G 30" \$498.62 14 3/4x17 3/8"</p>

Park Avenue Collection Laminate
SHARED COMPONENTS

 <p>End Cap Bookshelf PC680R 24x24x29" \$301.06 PC680L 24x24x29" \$301.06</p>	 <p>Mobile Pedestals PC614X \$445.12 File/file PC613X \$466.87 Pencil/media/file 15 3/4 x 22 3/4 x 27 1/2"</p>	 <p>Lateral Files PC634X 2 drawer \$599.76 36x24x29" PC630X 4 drawer \$1,120.14 36x24x59 1/2"</p>	 <p>Storage Cabinet w/doors PC700X 36x24x29" \$456.29</p>	 <p>Bookcase Hutch--open PC690X \$336.34 36x14 3/4 x 37 1/8"</p>
 <p>Bookcase Hutch w/frosted doors and nickel frame PC690G \$646.21 36x14 3/4 x 37 1/8"</p>	 <p>Bookcase Shaded shelves are adjustable. 36x13 1/8x29" PC670X 2-shelf \$279.89 36x13 1/8x29" PC673X 4-shelf \$462.76 36x13 1/8x66 1/8"</p>	 <p>Storage/File Cabinet w/laminate door PC710R \$875.53 PC710L \$875.53 18x24x66 1/8"</p>	 <p>Storage/File Cabinet w/frosted door and nickel frame PC711R \$1043.11 PC711L \$1043.11 18x24x66 1/8"</p>	 <p>Storage Cabinet/Lateral File w/laminate doors PC720W \$1,148.95 36x24x66 1/8"</p>
 <p>Storage Cabinet/Lateral File w/frosted doors and nickel frame PC720G \$1,484.11 36 x 24 x 66 1/8"</p>	 <p>Wardrobe/Storage Cabinet w/laminate doors PC740W \$1,116.61 36x24x66 1/8"</p>	 <p>Reception Station w/Transaction Counter for double or single pedestal desk with rectangle top PC541X \$301.06 72x36x14 5/8"</p>	 <p>Reception Station for "L" Workstation (72 x 36) single pedestal desk w/rectangle top and (48x24) non-handed return PC553X \$434.53 72x84x14 5/8"</p>	 <p>Transaction Counter Organizer TCOL52 \$1115.84 48x11 1/8x13"</p>

Park Avenue Collection Laminate
SHARED COMPONENTS

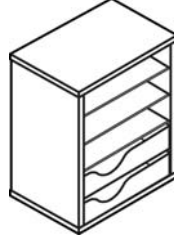


Presentation Cabinet
PC771X **630.92**
 48 1/8x5x49 1/2"

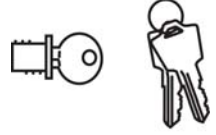


PS48

Projection Screen
 for presentation cabinet
PS48 **\$166.99**



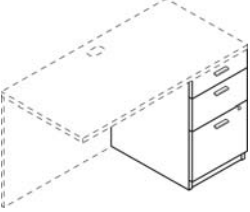
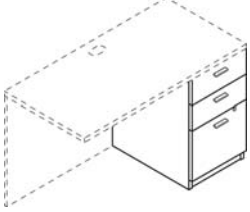
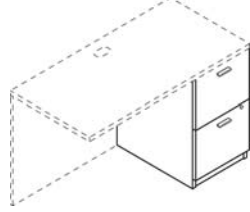
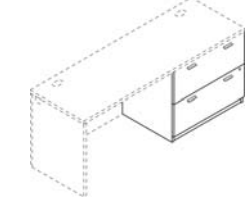
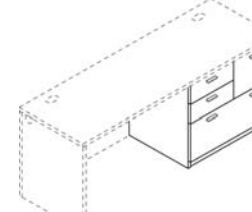
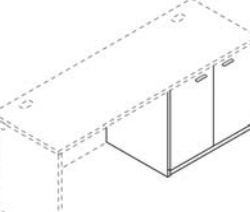
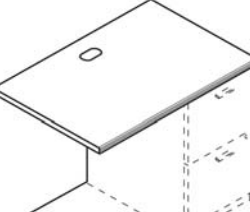
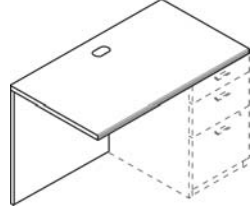
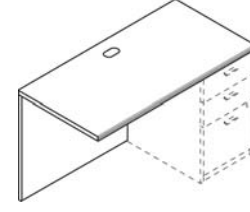
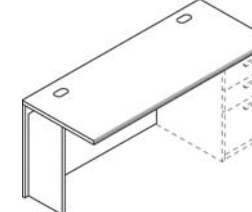
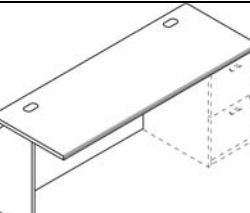
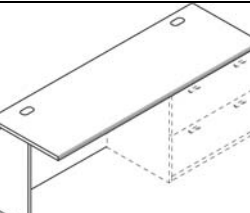
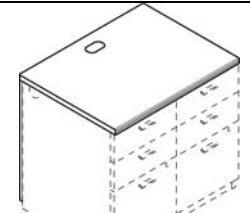
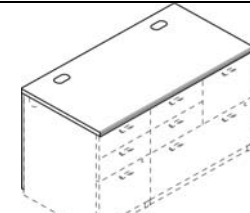
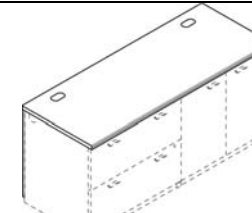
Vertical Paper Manager
LVPM1 **\$164.05**
 14 7/8x10 7/8 x19 11/16"



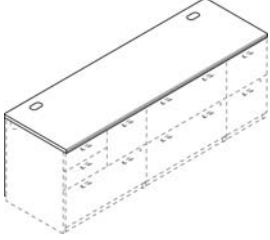
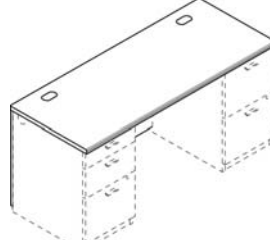
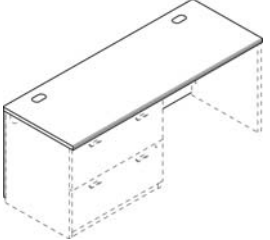
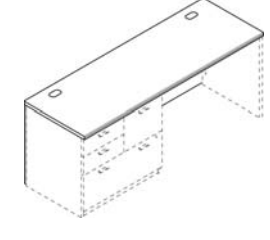
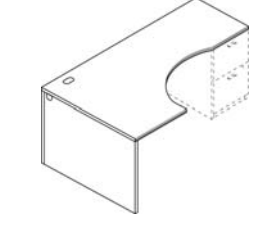
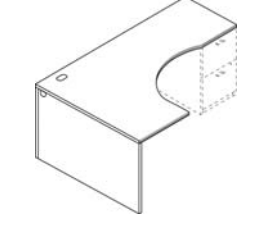
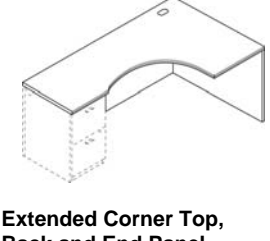
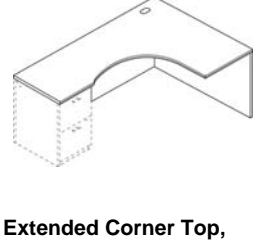

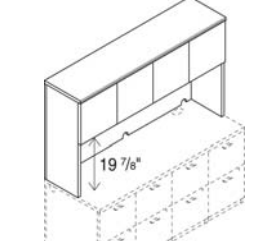
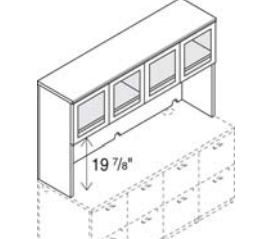
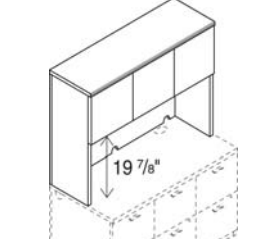
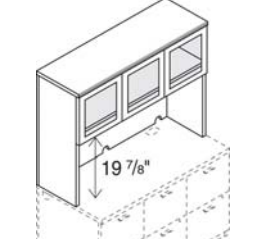
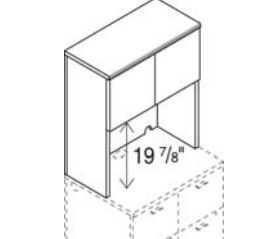
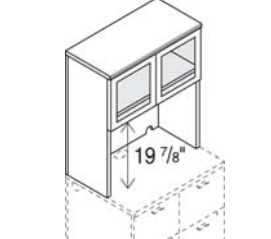
F23C_F23B

Removable Lock Core Kit
F23B Black **\$13.52**

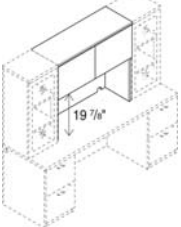
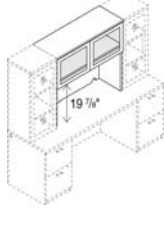
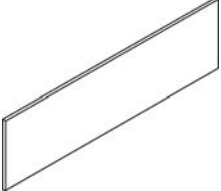
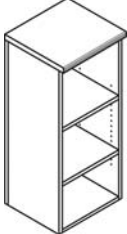
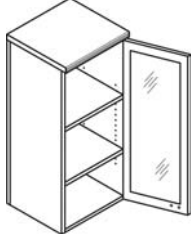
**Park Avenue Collection Laminate
MODULAR COMPONENTS**

 <p>Pencil/Media/File Pedestal PM513X \$339.28 15 11/16x2 3/4x27 3/4"</p>	 <p>Box/Box/File Pedestal PM512X \$366.91 15 11/16 x2 3/4 x27 3/4"</p>	 <p>File/File Pedestal PM514X \$366.91 15 11/16x22 3/4 x27 3/4"</p>	 <p>Lateral File Pedestal PM520X \$468.64 15 11/16x22 3/4x27 3/4"</p>	 <p>Lateral File Pedestal PM522X \$546.84 15 11/16x2 3/4x27 3/4"</p>
 <p>Storage Cabinet Pedestal PM524X \$320.46 31 3/8x2 3/4x27 3/4"</p>	 <p>Return Top and Back PM709X \$201.10 Top: 36x24" Back: 36x27 3/8"</p>	 <p>Return Top and Back PM708X \$222.85 Top: 42 x24" Back: 42x27 3/8"</p>	 <p>Return Top and Back PM706X \$226.38 Top: 48x24" Back: 48x27 3/8"</p>	 <p>Return Top, Back and support leg PM704X \$276.36 Top: 60x24" Back: 60x27 3/8"</p>
 <p>Return Top, Back and support leg PM702X \$298.70 Top: 66x24" Back: 66x27 3/8"</p>	 <p>Return Top, Back and support leg PM701X \$308.11 Top: 72x24" Back: 72x27 3/8"</p>	 <p>Credenza Top and Back PM640X \$166.40 Top: 31 3/8x24" Back: 31 3/8x27 3/8"</p>	 <p>Credenza Top and Back PM637X \$226.38 Top: 47x24" Back: 47x27 3/8"</p>	 <p>Credenza Top and Back PM633X \$279.89 Top: 62 3/4x24" Back: 62 3/4x27 3/8"</p>









**Park Avenue Collection Laminate
MODULAR COMPONENTS**

 <p>Credenza Top and Back PM630X \$308.11 Top: 78 3/8x24" Back: 78 3/8x27 3/8"</p>	 <p>Credenza Top and Back PM634X 294.59 Top: 60x24" Back: 60 x27 3/8"</p>	 <p>Credenza Top and Back PM632X \$279.89 Top: 66x24" Back: 66x27 3/8"</p>	 <p>Credenza Top and Back PM631X \$289.30 Top: 72x24" Back: 72x27 3/8"</p>	 <p>Extended Corner Top, Back and End Panel PM682R \$376.91 Top: 24-36" x 72-24" Back: 72x27 3/8"</p>
 <p>Extended Corner Top, Back and End Panel PM680R \$503.33 Top: 24-48" x 72-24" Back: 72x27 3/8"</p>	 <p>Extended Corner Top, Back and End Panel PM682L \$376.91 Top: 24-72" x 36-24" Back: 72x27 3/8"</p>	 <p>Extended Corner Top, Back and End Panel PM680L \$503.33 Top: 24-72" x 48-24" Back: 72x27 3/8"</p>	 <p>End Panel for 24" Tops PM692R \$75.26 PM692L \$75.26 1 1/8x23x27 3/4"</p>	 <p>Stack-on Storage w/4 laminate doors and enclosed back PM801W \$565.66 62 3/4x14 3/4x37 1/8"</p>
 <p>Stack-on Storage w/4 frosted doors, nickel frame and enclosed back PM801G \$842.60 62 3/4x14 3/4"x37 1/8"</p>	 <p>Stack-on Storage w/3 laminate doors and enclosed back PM802W \$523.32 47x14 3/4 x37 1/8"</p>	 <p>Stack-on Storage w/3 frosted doors, nickel frame and enclosed back PM802G \$679.14 47x14 3/4x37 1/8"</p>	 <p>Stack-on Storage w/2 laminate doors and enclosed back PM806W \$364.56 31 3/8 x14 3/4x37 1/8"</p>	 <p>Stack-on Storage w/2 frosted doors, nickel frame and enclosed back PM806G \$502.74 31 3/8x14 3/4x37 1/8"</p>

Park Avenue Collection Laminate continued
MODULAR COMPONENTS

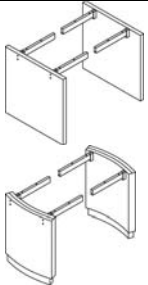
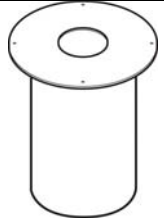
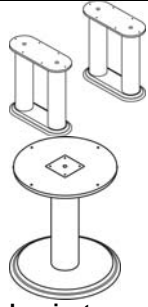
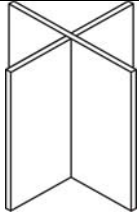
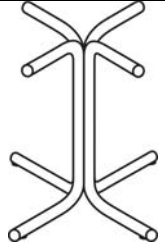
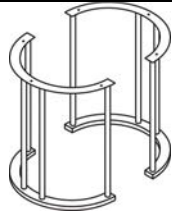
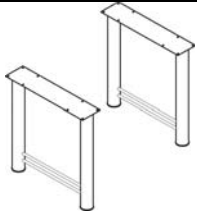
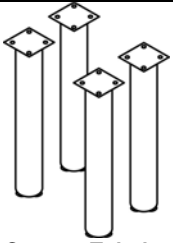
 <p>Stack-on Storage w/2 laminated doors and enclosed back for use with 2 Tower Bookcases on 72" top PM804W 418.07 47x14³/₄x37 1/8"</p>	 <p>Stack-on Storage w/2 frosted doors, nickel frame and enclosed back for use with 2 Tower Bookcases on 72" top 47x14³/₄x37 1/8" PM804G \$603.87 47x14³/₄x37 1/8"</p>	 <p>Tackboard for use with stack-on storage 90066 62³/₄" \$110.54 90065 47" \$92.32 90063 40¹/₂" \$85.26 90061 1 3/8" \$74.68</p>	 <p>Tower Bookcase PM828X \$226.38 15 11/16x14³/₄x37 1/8"</p>	 <p>Tower Bookcase w/frosted door and nickel frame PM821R \$383.38 PM821L \$383.38 15 11/16x14³/₄x37 1/8"</p>
---	--	--	--	---

**Park Avenue Collection Laminate
TABLES**

 <p>Rectangular Top PTC144(?)X \$515.68 144x48" PTC120(?)X \$462.17 120x48" PTC096(?)X \$376.91 96x48" PTC072(?)X \$302.23 72x36"</p>	 <p>Racetrack Top PTA144(?)X \$515.68 144x48" PTA120(?)X \$462.17 120x48" PTA096(?)X \$376.91 96x48" PTA072(?)X \$264.01 72x36"</p>	 <p>Boat Shape Top PTB144(?)X \$515.68 144x48" PTB120(?)X \$462.17 120x48" PTB096(?)X \$376.91 96x48" PTB072(?)X \$264.01 72x36"</p>	 <p>Round Top 48" dia. PTD048(?)X. \$219.91 48" diameter PTD042(?)X \$201.10 42" diameter</p>	 <p>Rectangular Top w/wire management 2 grommets PTC144(?)Y \$598.00 144x48" PTC120(?)Y \$544.49 120x48" 1 grommet PTC096(?)Y \$418.07 96x48" PTC072(?)Y \$305.17 72x36"</p>
 <p>Racetrack Top w/wire management 2 grommets PTA144(?)Y \$598.00 144x48" PTA120(?)Y \$544.49 120x48" 1 grommet PTA096(?)Y \$418.07 96x48" PTA072(?)Y \$305.17 72x36"</p>	 <p>Boat Shape Top w/wire management 2 grommets PTB144(?)Y \$598.00 144x48" PTB120(?)Y \$544.49 120x48" 1 grommet PTB096(?)Y \$418.07 96x48" PTB072(?)Y \$305.17 72x36"</p>	 <p>Round Top w/wire management 1 grommet PTD048(?)Y \$261.07 48" dia. PTD042(?) \$242.26 42" dia.</p>		

Park Avenue Collection Laminate TABLES

Laminate Conference Tables	Number of Base Kits Required										
Shapes Available	Top Dimensions	Laminate Slab Base	Reversible Laminate Curved Base w/Plinth	Laminate Cylinder Base	Laminate "X" Base	Double Column Base	Single Column Base	Metal "X" Base	Reversible Metal Arc Base	Metal Double Post Base	Metal Cannon Tubular Leg Base
Rectangle, Racetrack, Boat	144"L x 48"W	(1) BLS02	(1) BLCP01	(2) BLCY02	(2) BLX02	(1) BLCOL2	N/A	N/A	N/A	N/A	N/A
Rectangle, Racetrack, Boat	120"L x 48"W	(1) BLS02	(1) BLCP01	(2) BLCY02	(2) BLX02	(1) BLCOL2	N/A	N/A	N/A	N/A	N/A
Rectangle, Racetrack, Boat	96"L x 48"W	(1) BLS02	(1) BLCP01	(2) BLCY02	(2) BLX02	(1) BLCOL2	N/A	(2) BMX02	(1) BMA01	(1) BMDP01	(1) BMT01
Rectangle, Racetrack, Boat	72"L x 36"W	(1) BLS01	(1) BLCP01	(2) BLCY01	(2) BLX01	(1) BLCOL2	N/A	(2) BMX01	(1) BMA01	(1) BMDP01	(1) BMT01
Round	48"	N/A	N/A	(1) BLCY02	(1) BLX02	N/A	(1) BLCOL1	(1) BMX02	(1) BMA01	N/A	(1) BMT01
Round	42"	N/A	N/A	(1) BLCY02	(1) BLX02	N/A	(1) BLCOL1	(1) BMX02	(1) BMA01	N/A	(1) BMT01
Bases Per Kit		2	2	1	1	2	1	1	2	2	4

				
<p>Laminate Slab Base</p> <p>BLS02 \$248.14 for 144", 120" or 96" tops</p> <p>BLS01 \$233.44 for 72" or 60" tops</p> <p>BLCP01 \$328.69 reversible laminate curved base w/plinth for 144", 120", 96", 72" or 60" tops</p>	<p>Laminate Cylinder Base</p> <p>BLCY02 \$266.95 18" diameter for 48" or 42" round tops 144", 120" or 96" tops</p> <p>BLCY01 \$240.49 14" diameter for 36" round top 72" tops</p>	<p>Laminate Double Column Base</p> <p>BLCOL2 \$622.69 for 144", 120", 96" or 72" tops</p> <p>Laminate Single Column Base</p> <p>BLCOL1 \$278.71 for 48", 42" or 36" round tops</p>	<p>Laminate "X" Base</p> <p>BLX02 \$184.63 for 48" or 42" round tops 144", 120", or 96" tops</p> <p>BLX01 \$152.29 for 36" round tops 72" tops</p>	<p>Metal "X" Base</p> <p>BMX02 \$148.18 for 48" or 42" round tops 144", 120" or 96" tops</p>
				
<p>Reversible Metal Arc Base</p> <p>BMA01 \$293.41 for 48" or 42" round tops 96" or 72" tops</p>	<p>Metal Double Post Base</p> <p>BMDP01 \$321.05 for 96" or 72" tops</p>	<p>Metal Cannon Tubular Leg Base</p> <p>BMT01 \$301.06 for 48" or 42" round tops 96" or 72" tops</p>		